

## Stainless Steel Preparation 1200 mm Wall Cupboard with 2 Sliding Doors

ITEM # \_\_\_\_\_

MODEL # \_\_\_\_\_

NAME # \_\_\_\_\_

SIS # \_\_\_\_\_

AIA # \_\_\_\_\_

**133119 (PS1200EN)**Wall cupboard, with 1 shelf  
and 2 sliding doors, 1200mm

### Short Form Specification

**Item No.** \_\_\_\_\_

Made entirely from 304 AISI stainless steel, 0,8mm in thickness. Inner welded frame in stainless steel. Upturned panel edges. 10mm radiused corner between base and back panel for a perfect cleanability. 50mm top and base panel. Intermediate shelf adjustable at three different heights. Two sound-deadened sliding doors.

### Main Features

- Handles in stainless steel for better hygiene and reliability.
- Sturdiness, stability and reliability of table accurately tested.

### Construction

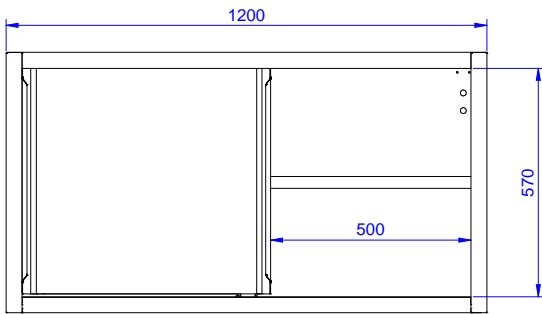
- Wall cupboard features an ergonomic handle and an internal shelf which can be positioned at three different levels.
- Easy access to the cupboard interior on all lengths guaranteed by the use of only 2 doors.
- Inner welded frame in stainless steel to guarantee superior strength and stability.
- Sturdy sound-deadened sliding doors on tracks located flush to the front of the frame.
- 100 mm upstand with 10 mm radiused corner and 13 mm deep, designed to be used against a wall.
- Scotch Brite finish to meet the highest hygiene standards.
- Heavy duty construction entirely in AISI 304 stainless steel to offer maximum durability.

### Optional Accessories

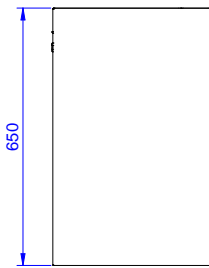
- Lighting kit with led for wall cupboards (1000mm and 1200mm) PNC 850709
- Lighting kit with led for wall cupboards (1400mm, 1600mm and 1800mm) PNC 850710

**APPROVAL:** \_\_\_\_\_

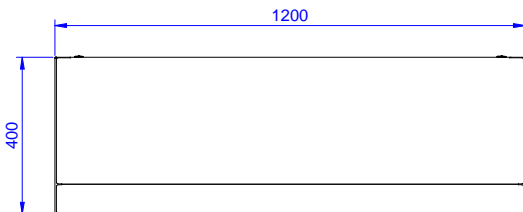
**Front**



**Side**



**Top**



## Key Information:

<b>Cabinet width:</b>	
<b>133119 (PS1200EN)</b>	1188 mm
<b>Cabinet depth:</b>	333 mm
<b>Cabinet height:</b>	570 mm
<b>N° of doors:</b>	2
<b>External dimensions, Width:</b>	1200 mm
<b>External dimensions, Depth:</b>	400 mm
<b>External dimensions, Height:</b>	650 mm
<b>Net weight:</b>	29 kg